



AC
IMPELLERS.



GENERAL DATA FOR TUBE AXIAL FANS:

- Frame / Housing : Aluminium die-casting
Impeller : Plastic PBT PC, Nylon or metal
Bearing System : Ball bearing or sleeve Bearing
Motor : Shaded pole or capacitor induction
Connection : Lead wire or terminal type (as per customer request)
Protection : Impedance protection or thermal protection
Insulation Resistance : Above 100MΩ, DC500V
Dielectric withstand voltage : AC 1500V (50/60Hz) one minute
Operating Temperature : Ball bearing: - 40°C~70°C
Sleeve Bearing: - 20°C ~ 70°C
Life Expentacy : Ball bearing: over 40,000. (At 40°C)
Sleeve Bearing: over 15,000. (At 40°C)
Safety Approval : UL, CUL, CE

ALL MODELS DISPLAYED ON THIS CATALOGUE ARE ROHS COMPLIANT.

Description of Model No. :

E I 1890 C -11 H B
1 2 3 4 5 6 7

1. E

Electronic Associates

2. I

AC Impellers

3. Size.

- 25107 : 254 x 254 x 107 mm
2589 : 254 x 254 x 89 mm
1890 : 180 x 180 x 90 mm
1751 : 172 x 172 x 51 mm
1555 : 172 x 150 x 55 mm
1551 : 172 x 150 x 51 mm
1538 : 172 x 150 x 38 mm
1662 : 160 x 160 x 62 mm
1338 : 127 x 127 x 38 mm
1238 : 120 x 120 x 38 mm
1225 : 120 x 120 x 25 mm
9238 : 92 x 92 x 38 mm
9225 : 92 x 92 x 25 mm
8038 : 80 x 80 x 38 mm
8025 : 80 x 80 x 25 mm
6030 : 60 x 60 x 30 mm

4. Special design.

- C: Capacitance Induction Motor
R: Reverse Air
M: Metal Impeller
CR: Capacitance Induction Motor
+ Reverse Air
MR: Metal Impeller
+ Reverse Air
E: Without Frame
A: 3 Phase

5. Input Voltage.

- 11: 115V
23: 230V

6. Speed.

- H: High Speed
M: Medium Speed
L: Low Speed

7. Bearing.

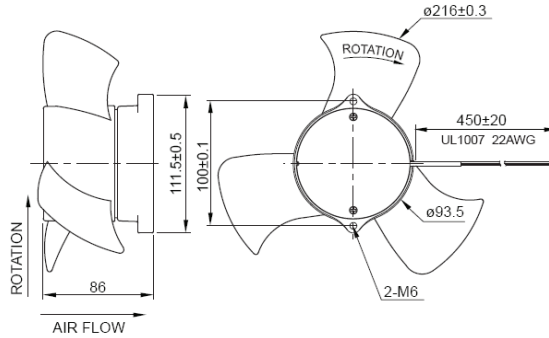
- B: Ball Bearing
S: Sleeve Bearing



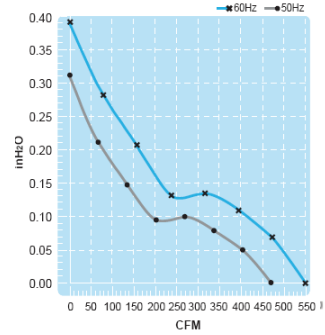
MODEL: EA2589CE SERIES



Thermal Protection



Lead Wire Type

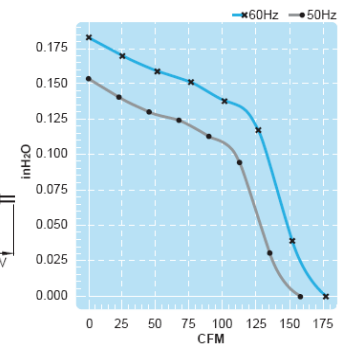
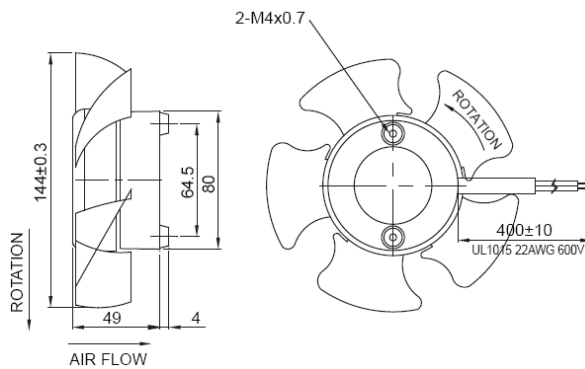


Model Spec	Rated Voltage V	Frequency Hz	Input Power W	Rated Current A	Locked Current A	Speed RPM	Maximum Air Flow m ³ / min	Maximum Air Flow CFM	Maximum Pressure mmH ₂ O	Maximum Pressure InchH ₂ O	Noise dB	Weight KG
EA2589CE-11HB	115V	50	36	0.30	0.53	1,400	13.0	460	8.0	0.32	52	1.40
		60	39	0.29	0.51	1,650	15.5	550	10.0	0.40	55	
EA2589CE-23HB	230V	50	36	0.14	0.26	1,400	13.0	460	8.0	0.32	52	1.40
		60	39	0.14	0.25	1,650	15.5	550	10.0	0.40	55	

MODEL: EI1551PE SERIES



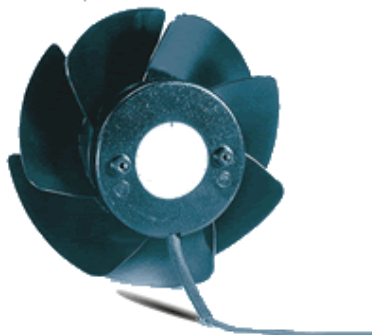
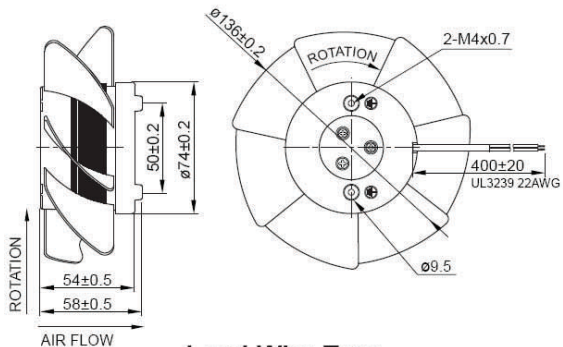
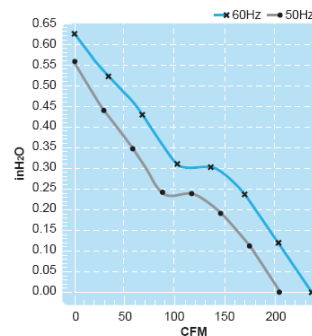
Impedance Protection



Model Spec	Rated Voltage V	Frequency Hz	Input Power W	Rated Current A	Locked Current A	Speed RPM	Maximum Air Flow m ³ / min	Maximum Air Flow CFM	Maximum Pressure mmH ₂ O	Maximum Pressure InchH ₂ O	Noise dB	Weight KG
EI1551PE-11HB	115V	50	36	0.51	0.62	2,650	4.53	160	4.06	0.16	48	0.78
		60	33	0.42	0.54	2,950	5.10	180	4.57	0.18	53	
EI14449-23HB	230V	50	36	0.24	0.29	2,650	4.53	160	4.06	0.16	48	0.78
		60	33	0.20	0.25	2,950	5.10	180	4.57	0.18	53	

MODEL: EI1555KME SERIES

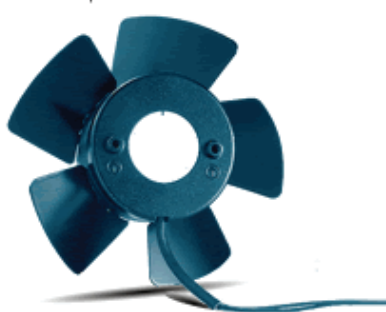
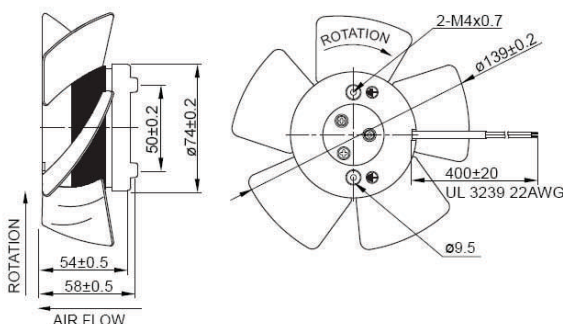
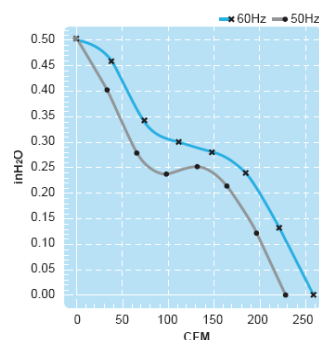
* Metal Impeller


Thermal Protection

Lead Wire Type


Model Spec	Rated Voltage V	Frequency Hz	Input Power W	Rated Current A	Locked Current A	Speed RPM	Maximum Air Flow m ³ /min	Maximum Air Flow CFM	Maximum Pressure mmH ₂ O	Maximum Pressure InchH ₂ O	Noise dB	Weight KG
EI1555KME-11HB	115V	50	42	0.51	0.87	2,800	5.5	195	14.0	0.55	45	0.91
		60	42	0.46	0.74	3,250	6.5	230	16.0	0.63	50	
EI1555KME-11HB	230V	50	42	0.25	0.43	2,800	5.5	195	14.0	0.55	45	0.91
		60	42	0.23	0.37	3,250	6.5	230	16.0	0.63	50	

MODEL: EI1555KMRE SERIES

* Metal Impeller


Thermal Protection

Lead Wire Type


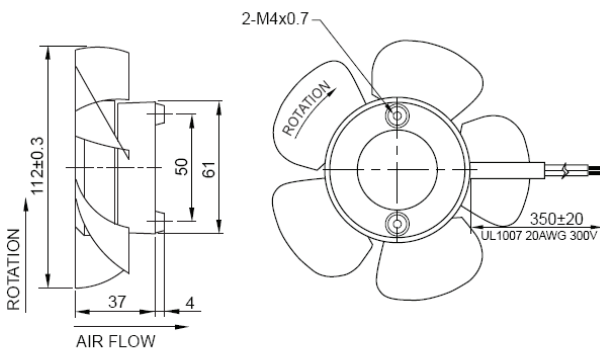
Model Spec	Rated Voltage V	Frequency Hz	Input Power W	Rated Current A	Locked Current A	Speed RPM	Maximum Air Flow m ³ /min	Maximum Air Flow CFM	Maximum Pressure mmH ₂ O	Maximum Pressure InchH ₂ O	Noise dB	Weight KG
EI1555KMRE-11HB	115V	50	45	0.54	0.90	2,750	6.4	225	12.5	0.50	54	0.85
		60	45	0.51	0.80	3,150	7.2	255	12.5	0.50	57	
EI1555KMRE-23HB	230V	50	45	0.27	0.44	2,750	6.4	225	12.5	0.50	54	0.85
		60	45	0.25	0.38	3,150	7.2	255	12.5	0.50	57	



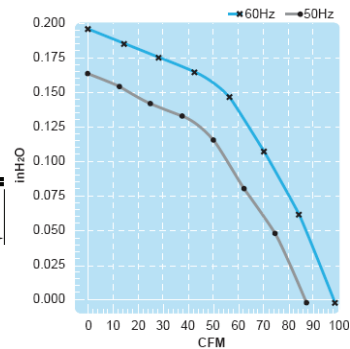
MODEL: EI1238E SERIES



Impedance Protection



Lead Wire Type



Model Spec	Rated Voltage V	Frequency Hz	Input Power W	Rated Current A	Locked Current A	Speed RPM	Maximum Air Flow m ³ /min	Maximum Air Flow CFM	Maximum Pressure mmH ₂ O	Maximum Pressure InchH ₂ O	Noise dB	Weight KG
EI1238-11HB	115V	50	15	0.21	0.28	2,700	2.4	85	4.0	0.15	38	0.73
		60	13	0.17	0.24	3,000	2.7	95	4.8	0.18	42	
EI1238-23HB	230V	50	16	0.11	0.14	2,700	2.4	85	4.0	0.15	38	0.73
		60	14	0.09	0.12	3,000	2.7	95	4.8	0.18	42	